

JIS

TJAPANESE INDUSTRIAL STANDARD

Installation methods of power cables
buried ground JIS C 6353

TRANSLATED AND PUBLISHED
BY JAPANESE STANDARDS ASSOCIATION

English



JAPANESE INDUSTRIAL STANDARD JIS INSTALLATION METHODS OF POWER CABLES BURIED GROUND C 3653-1994

1. SCOPE:

This Japanese Industrial Standard specifies installation methods of power cables with a working voltage not exceeding 7000 V (hereafter referred to as “cables”) for the following electrical structures buried in the ground of demand place.

- (1) The cable-way installed by conduit system
 - (2) The cable-way installed by direct laying system
 - (3) The outdoor wiring
- Remarks 1. The following standards are cited in this Standard:
- | | |
|------------|---|
| JIS A 5303 | Reinforced spun concrete pipes |
| JIS A 5321 | Reinforced concrete cable troughs |
| JIS C 8305 | Rigid steel conduits |
| JIS C 8380 | Plastic coated steel pipes for cable- ways |
| JIS C 8411 | Pliable plastics conduits |
| JIS C 8430 | Un-plasticized polyvinyl chloride (UPVC) conduits |
| JIS G 3452 | Carbon steel pipes for ordinary piping |
| JIS G 3469 | Polyethylene coated steel pipes |
| JIS K 6720 | Polyvinyl chloride resins |
| JIS K 6741 | Un-plasticized polyvinyl chloride (PVC) pipes |
| JIS K 6747 | Polypropylene moulding materials |
| JIS K 6748 | Polypropylene moulding materials |

2. DEFINITIONS:

For the purpose of this Standard, the following principal definitions apply:

- (1) Demand place: The whole yard where electricity is used including the electric service place.
- (2) Electric service place: The place where electrical structure for use of electricity is installed.
Remarks: Power station, substation, switchyard, non-utility electric room, etc. are not included in this electric service place.
- (3) Cable-way: This means the wires between electric service place, power station, substation, switchyard, non-utility electric room, etc. and the structures which support or maintain such wires.
- (4) Outdoor wiring: The wires installed firmly for the purpose of electricity use at an outdoor electric service place. However, the wires in cable-ways, in machines and apparatus, and the wires installed as a part of the said wires are not included.
Remarks: The wiring of branch circuit to be installed outdoors is regarded as outdoor wiring.
- (5) Conduit system: A system in which conduits are in the ground previously and the cables are capable of being drawn in or drawn out without excavation of the ground, and underground cable boxes are prepared as needed.
- (6) Direct laying system: A system in which the cables are directly laid into the ground, or accommodated in protective material, then laid into the ground, and excavation of the ground is necessary at the time of draw-out of cables.
- (7) Conduit: Such structure as a conduit firmly installed to draw the cables into it and its accessories.
- (8) Underground cable box: A box laid in the ground on the route of conduit which is intended to make such construction works as draw-in, draw-out, connection, branching and such maintenance work as inspection of cables easy, and equipped with a lid capable of being opened.

3. CABLE-WAYS OF CONDUIT SYSTEM

3.1 Excavation and refilling: The excavation and refilling of land shall be made as follows:

- (1) The bottom of excavated ditch shall be made flat by tamping completely.
- (2) The soil and sand for refilling shall not include pebblestone, crushed stone, etc. which will damage the conduit materials, and those which will not corrode the conduit materials shall be used for refilling the periphery of conduit.
- (3) The soil and sand refilling the periphery of conduit shall be tamped completely not to cause any gap.
- (4) When cables are installed in weak ground, appropriate means to the conditions of the ground shall be taken into consideration.

3.2 Conduit: The conduit shall be installed as follows:

- (1) The conduit shall be robustly installed so that it will withstand the pressure due to vehicles or other heavy things. The above requirement is considered as satisfied if the conduit nominal diameter is not exceeding 200mm, the pipe specified in Table 1 or that at least equivalent in performance is used and buried in a depth of 0.3m or more from the ground level (lower surface of pavement if the ground is paved).

TABLE 1. KINDS OF CONDUIT MATERIALS

Classification	Kind
Steel pipe	The steel pipe specified in JIS G 3452, treated with deterrent to corrosion by winding with corrosion resistant tape or by corrosion resistant lining The polyethylene coated steel pipe specified in JIS G 3469 The rigid steel conduit specified in JIS C 8305 treated with deterrent to rusting by winding with corrosion resistant tape or by corrosion resistant lining.
Concrete pipe	The pipe of type G specified in JIS C 8380
Synthetic resin pipe	The concrete pipe specified in JIS A 5303 The conduit specified in JIS C 8430 The pipe of kind VP specified in JIS K 6741
Earthenware pipe	The corrugated rigid synthetic resin pipe specified in Annex 1 The multi-hole earthenware pipe specified in Annex 2

- (2) Metal pipes and their joints shall be treated with deterrent to corrosion by winding with corrosion resistant tape or by corrosion resistant lining.
- (3) The conduit shall be installed to avoid unnecessary bend, meandering, etc. which will cause trouble to installation of cables.
- (4) The joint between pipes shall be made firmly by using the exclusive accessories, if any, to avoid easy ingress of water into the conduit. Examples of connecting methods appropriate to the kinds of pipe are shown in Table 2.

TABLE 2. EXAMPLES OF CONNECTING METHODS OF PIPE

Classification	Example of connecting method
Steel pipe	Screw-in Push-in with packing inserted (rubber tube joint) Screw less joint with packing Ball joint
Concrete pipe	Push-in with packing inserted (rubber tube joint)
UPVC pipe	Push-in with packing inserted (rubber tube joint) Adhesion
Corrugated rigid synthetic resin pipe	Sleeve joint with sealing material and then winding of tape Split connector tightened by bolts Push-in with packing inserted (rubber tube joint) Adhesion
Earthenware pipe	Tightened by bolts with packing inserted

- (5) The conduit shall be so installed that projections which may damage the covering of the cables do not appear on its inner surface, joints or ends.
- (6) The joint between the conduit and the underground cable box or the building shall be filled with durable sealing materials, mortar, etc. to avoid easy ingress of water into the box or building.
- (7) The opening ends of conduit (including spare conduit) drawn into a building or in an underground cable box as needed from the underground shall be subjected to waterproof treatment.
- (8) When plural conduits are closely installed in parallel, the soil and sand refilled between the pipes (especially on both sides of pipe bottom) shall be completely tamped to eliminate any gap.
- (9) When the power cable becomes close to or intersects an underground weak current cable or optical fiber cable, the cable shall be installed in either of the following ways if the distance between them is not exceeding 30cm.
 - (a) When the cable is accommodated in a rigid non-flammable or self flame-retardant pipe, the pipe shall be so installed that it will not come in direct contact with the underground weak current cable or optical fiber cable.
 - (b) When the cable is accommodated in a flammable pipe, a robust flame resistant barrier shall be provided between the pipe and the underground weak current cable or optical fiber cable.
- (10) When a low-tension cable and a high-tension cable are laid, or a low-tension or high-tension cable and an extra-high-tension cable are laid closely or intersecting each other at a distance not exceeding 30cm in a place other than underground cable box (15cm between low-tension cable and high-tension cable), the cables shall be installed in accordance with one of the following requirements:

- (10.1) Each cable shall comply with either of the following cases:
 - (a) The cable has self flame-retardant covering
 - (b) the cable is accommodated in a rigid self flame-retardant pipe
- (10.2) Cables having non-flammable covering shall be used for either one of the said cables.
- (10.3) Either one of the said cables shall be installed being accommodated in such non-flammable pipes, concrete pipes and earthenware pipes.
- (10.4) Robust flame resistant barrier shall be provided between pipes.
- (11) In general, cables for one circuit shall be accommodated in a conduit.
- (12) Pipes with a size which allows easy draw-in and draw-out of the cable shall be selected.
 Remarks: The inside diameters of pipe stated below are employed as the standard.
 If the conduit is straight and the tension at draw-in of a cable is within the permissible tension of the cable, such a case is an exception.
 - (1) When one cable is installed in a pipe, 1.5 or more times the overall diameter of the cable is the standard for the inside diameter of the pipe.
 - (2) When two or more cables are installed in a pipe, 1.5 or more times the diameter of a circle which circumscribes the gathered cables is the standard for the inside diameter of the pipe.

3.3 Underground cable box: The underground cable box shall be installed in accordance with the following requirements:

- (1) The underground cable box shall be installed, on the route of the conduit, at the following places:
 - (a) Places where such works as draw-in and draw-out of cable are needed.
 - (b) Places where branching, connection, etc. of cables are carried out.
 - (c) Places where tension for draw-in of a cable exceeds the permissible tension of the cable.
 Remarks: The tension for draw-in of a cable is considered as not exceeding the permissible tension of the cable in the following cases:
 - (1) When the length of a straight conduit is not exceeding 150m
 - (2) When the length of a conduit with a bend at a right angle is not exceeding 100m.
 - (d) Places where prevention of cable from slip down is necessary due to large slope of the conduit.
- (2) The size of underground cable box shall be as follows:
 - (a) Such construction works as draw-in, draw-out, connection and branching, and such maintenance work as inspection of cable are capable of being done easily.
 - (b) The cable is capable of being bent at a radius not less than the permissible radius of bending. The permissible radius of bending means the radius of inside curvature of cable, and shall have at least the appropriate value given in Table 3.

TABLE 3: PERMISSIBLE RADIUS OF BENDING		
Kind of cable	Single-core	Multi-core
Low-tension	8D	6D
High-tension	10D	8D

Remarks: D denotes overall diameter of cable.
 Single-core twisted cable such as triplex cable is treated as a multi-core cable. In this case, the overall diameter of cable means the diameter of a circle which circumscribes every single-core cable.

- (3) The underground cable box shall be structured as follows:
 - (3.1) The box shall be robust and withstand the pressure due to vehicles or other heavy things. However, boxes installed at places where no vehicle enters such as plantation and green belt are exempted from the above requirement.
 - (3.2) The box shall be structured as stated below to eliminate staying water.
 - (a) A water storage is provided under the bottom of box
 - (b) A drain hole is provided at the bottom of box. This is only done when the bottom is above normal ground water level.
 - (3.3) Opening(s) shall be provided for execution of such installation works as draw-in, draw-out, connection and branching and such maintenance work as inspection of cables.
- (4) The opening of underground cable box shall be free from any projection which will disturb entrance and exit of a man or human work.
- (5) The opening of underground cable box shall be equipped with a lid which can not be opened easily by a man other than the person in charge. If a box is installed at a place not easily accessible by a man other than the person in charge, such a case is an exception.
- (6) The lid of underground cable box shall be structured to avoid ingress of water.
- (7) When an underground cable box is installed at a place where such heavy things as vehicles run, the lid shall be installed to withstand the pressure resulted from the heavy things.
- (8) When intermediate splicing of cable is done in an underground cable box, the cables shall be fixed on the wall or floor of the box to avoid trouble to the joint.

- (9) Cable supports, ladders steps, hook for draw-in of cable, etc. shall be provided as needed in an underground cable box.
 - (10) When a separate underground cable box is installed, the joint of each block shall be so structured by means of mortar, adhesive, packing, etc., that easy ingress of water is prevented.
 - (11) Underground cable boxes shall be so installed that their bottoms are deeper than the freezing depth of ground.
- 3.4 Grounding:** Metallic conduit materials, metallic covering of cable, metallic joint boxes, metallic cable supports in underground cable box and metallic protective materials for rising part of cable shall be grounded as specified in the class 3 grounding work. However, the grounding work may be omitted for the said parts, if the resistance between the parts and the ground is not exceeding 100 Ω or if the parts are treated with deterrent to corrosion.
- 3.5 Designation of buried conduit:** The designation of buried conduit shall be made as follows:
- (1) Plates, posts, etc. designating buried conduit shall be installed for identification of route of installed conduit on the surface of ground.
 - (2) In an underground high-tension cable-way, the sheet designating buried conduit shall be installed continuously in almost middle of the top of pipe and the ground level (lower surface of pavement, if the ground is paved).
- 3.6 Rising part of cable:** The cable, if raised along a building structure or the like, shall be installed as follows:
- (1) The rising part of cable in the ground shall be installed to avoid the pressure due to vehicles or other heavy things.
 - (2) The part of cable above the ground level shall be covered with robust, high weather ability and non-flammable or self flame-retardant protective material above the ground level shall be 2m (2.5m when the cable is raised outside of building structure) or more.
 - (3) The protective material shall be firmly fixed to the building structure or the like.
 - (4) A cover or the like to prevent ingress of rain water shall be attached to the outdoor end of the protective material for cable.
- 4. DIRECT LAYING CABLE-WAY:** The direct laying cable-way shall be installed, in addition to compliance with 3.1, (9) and (10) of 3.2 to 3.6, as follows:
- (1) The cable shall be installed being accommodated in a protector such as the trough specified in JIS A 5321. However, such cases are exempted from the above requirement that cables having armor such as steel strip armored cables are used, or that the route of cable will not receive the pressure due to vehicles or other heavy things and further the cables are covered with robust plates laid above the cables.
 - (2) The depth of buried protective materials i.e. troughs and plates and the said armored cables shall be at least 1.2m in places where the cable may receive the pressure due to vehicles or other heavy things, and at least 0.6m in other places. However, the raising part to the ground level is an exception.
 - (3) The troughs which accommodate cables, the plates which cover cables, etc. shall be so installed that they will not cause gaps between them along the route of cable installation, and that no difference in level which will damage the covering of cables appears at the joints and the ends of troughs.
 - (4) When underground cable boxes are provided as needed, they shall be installed as specified in 3.3.
 - (5) The part of building through which the cable is led into the building shall be treated with waterproof.
- 5. OUTDOOR WIRING :** The outdoor wiring shall comply with the following requirements:
- (1) The low-tension outdoor wiring shall be installed, in addition to compliance with 3.1, 3.4 and 3.6, in accordance with either of the following procedures to avoid direct touch with weak current wires, water pipes, gas pipes, etc.
 - (a) When the cable is installed being accommodated in a pipe, it shall be installed in accordance with (1) to (3), (5), (8), (11) and (12) of 3.2. In this procedure, the cable may be installed being accommodated in the PF pipe specified in JISC 8411, when it is installed in the premises of dwelling house or in places where it will not receive the pressure due to vehicles or other heavy things.
 - (b) When the cable is installed being accommodated in a protector such as the trough specified in JIS A 5321, it shall be installed in accordance with 4.(3) at a depth of 0.3m or more. However, in the premises of dwelling house or in places where the cable will not receive the pressure due to vehicles or other heavy things, the cable may be installed being covered with robust plates placed above the cable at a depth of 0.3 m or more.
 - (2) The high-tension outdoor wiring shall be installed in accordance with 3. or 4.

ANNEX 1. CORRUGATED RIGID SYNTHETIC RESIN PIPES

1. Scope :

This Annex specifies corrugated rigid synthetic resin pipes to be used for protection of power cables buried in the ground (hereafter referred to as “pipe”). Informative reference: The pipe is also called FEP.

2. Performances :

- 2.1 Compressive strength:** When the compressive strength test is carried outdoor diameter in accordance with 5.1, the relative deflection of the outside diameter calculated from the formula given below shall not exceed 3.5%, and no crack or fracture shall appear at any part.

$$a = \frac{D1 - D2}{D1} \times 100$$

where, a : relative deflection of outside diameter (%)
 $D1$: outside diameter before compression (mm)
 $D2$: outside diameter after compression (mm)

- 2.2 Flame retardance:** When a pipe marked with “self flame-retardant” is tested in accordance with 5.2, the flame shall go off naturally.

3. Construction:

The construction of pipes shall be as follows:

- (1) When the section of a pipe cut perpendicular to the pipe axis is projected, the projection shall be circular.
- (2) The pipe shall be smooth on its inside and outside surfaces, and be free from detrimental scratch, crack and any other defects which will damage the covering of cable.
- (3) The pipe shall be corrugated one.

- 4. Material:** The material shall be principally composed of synthetic resin materials of good quality such as the polyethylene moulding materials specified in JIS K 6748, the polyvinyl chloride resins specified in JIS K 6720 or the polypropylene moulding materials specified in JIS K 6747.

5. Tests

5.1 Compressive strength test:

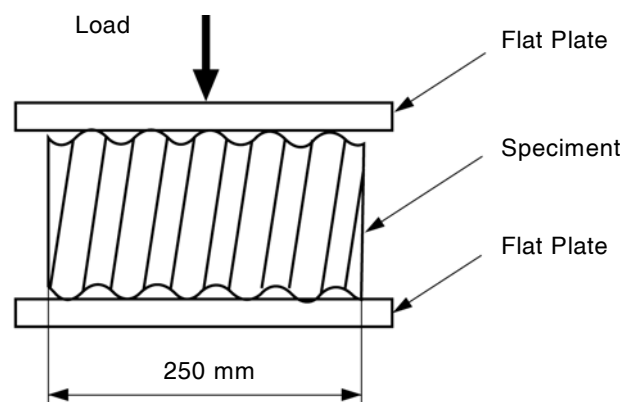
The compressive strength test shall be carried out as follows:

- (1) Cut out a specimen of 250mm in length from the product.
- (2) Prepare the testing device illustrated in Annex 1 Fig. 1.
- (3) Maintain the specimen and the testing device at a temperature $20 \pm 2^\circ\text{C}$ for 2h, then carry outside diameter the test at that temperature.
- (4) Bite the specimen with two flat steel plates, and apply the compressive load given by moving the plate perpendicular to the pie axis at a rate of 20 mm per minute.

$$P = 213 \times R$$

Where, P : compressive load (N)
 R : mean radius of pie $(D + d)/4$ (cm)
 D : outside diameter of pipe (cm)
 d : inside diameter of pipe (cm)

Annex 1 Fig. 1. Compressive strength test



5.2 Flame retardance(retardant) test: The flame retardance test of pipes shall be carried outside diameter as follows:

- (1) Take a specimen of 600 mm in length from the pipe
- (2) Make the specimen vertical and apply the tip of reducing flame of a Bunsen burner to a position 100 mm above the lower end. Adjust the flame so that the length of oxidizing flame is about 100 mm and the length of reducing flame is about 50 mm and incline the burner 45° from the horizontal plane.
- (3) The duration of flame application shall be as stated in Annex 1 Table 1.

ANNEX 1 TABLE 1.DURATION OF FLAME APPLICATION

Thickness of specimen (mm)	Duration of flame application (s)
Up to and including 0.5	15
Over 0.5 up to and including 1.0	20
Over 1.0 up to and including 1.5	25
Over 1.5 up to and including 2.0	35
Over 2.0 up to and including 2.5	45
Over 2.5 up to and including 3.0	55
Over 3.0 up to and including 3.5	65
Over 3.5 up to and including 4.0	75
Over 4.0 up to and including 4.5	85
Over 4.5 up to and including 5.0	130
Over 5.0 up to and including 5.5	200
Over 5.5 up to and including 6.0	300
Over 6.0 up to and including 6.5	500

- (4) After the specified duration of flame application, remove the flame, and examine whether the flame of specimen goes off naturally within 30 s or not.

6. Marking: The following items shall be indelibly marked on an easily visible position of each pipe:

- (1) For self flame-retardant pipes, such fact
- (2) Manufacture's name or abbreviation
- (3) Year and month of manufacture of their abbreviation

ANNEX 2. MULTI-HOLE EARTHENWARE PIPE

1. Scope

This Annex specifies multi-hole earthenware pipe to be used for protection of power cables buried in the ground (hereafter referred to as “pipes”).

2. Construction

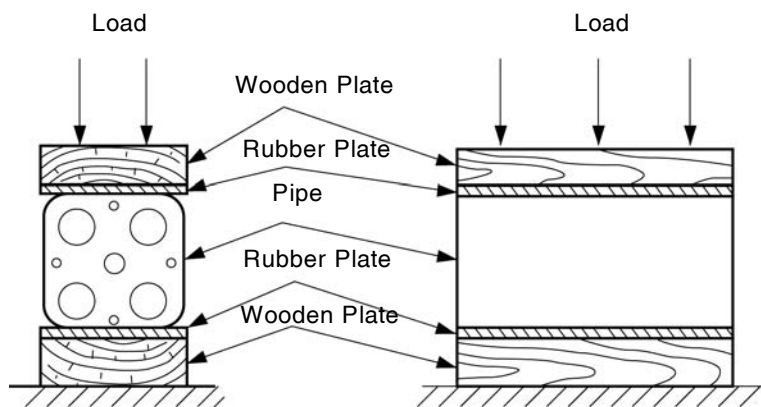
The construction of pipes shall be as follows:

- (1) The pipe shall be made in such a way that potter's clay of good quality is formed and then burned with a glaze applied.
- (2) The end face of pipe shall be perpendicular to the pipe axis, and the section of the hole and any other defects which will damage the covering of cable.
- (3) The inside surface of pipe shall be smooth and free from detrimental scratch, crack and any other defects which will damage the covering of cable.
- (4) When the pipe are connected each other, no difference in level which will damage the covering of cable shall appear at the joints.

3. Compressive strength: When the compressive strength test of pipe is carried out as specified in 4., the pipe shall show no crack or breakage.

4. Compressive strength test: In the compressive strength test, bite the pie with two wooden plates, and two rubber plates of about 20 mm in thickness covering the whole length as illustrated in Annex 2 Fig. 1, apply a compressive load in the direction perpendicular to the pipe axis at a rate of 500 N to 600 N per second until the load reaches 34 N per 1 cm² of projected area in the direction perpendicular to the pipe axis, then maintain this value for 1 min.

Annex 2 Fig. 1 Compressive strength test



5. Marking: The following items shall be indelibly marked on an easily visible position of each pipe:

- (1) Manufacturer's name or abbreviation
- (2) Year and month of manufacture of their abbreviation

JIS

TIÊU CHUẨN CÔNG NGHIỆP NHẬT BẢN

Phương pháp lắp đặt cáp điện lực
chôn dưới đất JIS C 3653 - 2004

DO HIỆP HỘI TIÊU CHUẨN NHẬT BẢN
DỊCH VÀ CÔNG BỐ

Tiếng Việt

TIÊU CHUẨN CÔNG NGHIỆP NHẬT BẢN JIS PHƯƠNG PHÁP LẮP ĐẶT CÁP ĐIỆN LỰC CHÔN DƯỚI ĐẤT C 3653 - 1994

1. PHẠM VI ÁP DỤNG.

Tiêu chuẩn Công nghiệp Nhật Bản này qui định các phương pháp lắp đặt cáp điện lực có điện áp làm việc không vượt quá 7 000 V (sau đây gọi tắt là “cáp”) dùng cho các công trình điện dưới đây, được chôn dưới đất của khu vực phụ tải.

- (1) Đường cáp lắp đặt theo hệ thống đường ống;
 - (2) Đường cáp lắp đặt theo hệ thống đặt trực tiếp;
 - (3) Đường dây ngoài trời.
- Ghi chú 1. Các tiêu chuẩn dưới đây được nêu trong Tiêu chuẩn này:
- | | |
|------------|---|
| JIS A 5303 | ống bê tông ly tâm cốt thép |
| JIS A 5321 | Máng cáp bê tông cốt thép |
| JIS C 8305 | ống thép cứng |
| JIS C 8380 | ống thép bọc chất dẻo dùng làm đường cáp |
| JIS C 8411 | ống chất dẻo uốn được |
| JIS C 8430 | ống polyvinyl clorua không hóa dẻo (UPVC) |
| JIS G 3452 | ống thép cacbon dùng cho đường ống thông thường |
| JIS G 3469 | ống thép bọc polyethylen |
| JIS K 6720 | Nhựa polyvinyl clorua |
| JIS K 6741 | ống polyvinyl clorua (PVC) không hóa dẻo |
| JIS K 6747 | Vật liệu đúc polypropylen |
| JIS K 6748 | Vật liệu đúc polyethylen |

2. ĐỊNH NGHĨA.

Trong Tiêu chuẩn này, áp dụng các định nghĩa chính dưới đây:

- (1) Khu vực phụ tải: Toàn bộ khu vực nơi điện năng được sử dụng, kể cả nơi lắp đặt điện
- (2) Khu vực lắp đặt điện: Nơi lắp đặt công trình điện để sử dụng điện
Ghi chú: Nhà máy điện, trạm biến áp, trạm đóng cắt, buồng điện, v.v., không thuộc khu vực lắp đặt điện.
- (3) Đường cáp: Các đường dây nối giữa khu vực lắp đặt điện, nhà máy điện, trạm biến áp, trạm đóng cắt, buồng điện, v.v., và các công trình nâng hoặc đỡ các đường dây này.
- (4) Dây ngoài trời: Các đường dây được lắp đặt chắc chắn để cấp điện cho khu vực lắp đặt điện ngoài trời. Tuy nhiên, dây ngoài trời không bao gồm các dây trong đường cáp, trong máy và thiết bị, và dây được lắp đặt thuộc các dây trên.
Ghi chú: Dây mạch nhánh lắp đặt ngoài trời được coi là dây ngoài trời.
- (5) hệ thống đường ống: Hệ thống trong đó các ống được đặt trước trong đất, và có thể kéo cáp vào hoặc ra mà không cần đào đất, và khi cần phải có các hộp cáp ngầm.
- (6) hệ thống đặt trực tiếp: Hệ thống trong đó cáp được đặt trực tiếp trong đất, hoặc được bố trí trong vật liệu bảo vệ sau đó đặt trong đất, và khi kéo cáp ra thì phải đào đất.
- (7) đường ống: công trình, gồm đường ống được lắp đặt chắc chắn để kéo cáp qua và các phụ kiện của đường ống
- (8) hộp cáp ngầm: hộp đặt trong đất trên tuyến đường ống nhằm giúp thực hiện dễ dàng các công tác xây dựng như kéo vào, kéo ra, đấu nối, rẽ nhánh cáp và công tác bảo trì như kiểm tra cáp, hộp được trang bị nắp có thể mở ra.

3. ĐƯỜNG CÁP HỆ THỐNG ĐƯỜNG ỐNG

3.1 Đào và lắp Việc đào và lắp đất phải thực hiện như sau:

- (1) Đáy rãnh đào phải được làm phẳng bằng cách đầm kỹ toàn bộ.
- (2) Đất và cát để lấp không được lẫn sỏi, đá, v.v. làm hư hại vật liệu đường ống; và vật liệu sử dụng để lấp quanh đường ống phải là loại không ăn mòn vật liệu đường ống.
- (3) Đất và cát lấp quanh đường ống phải được đầm kỹ hoàn toàn, không để có chỗ hổng.
- (4) Khi đặt cáp ở vùng đất yếu, cần tính đến các biện pháp thích hợp để xử lý đất.

3.2 Đường ống Đường ống phải được lắp đặt như sau:

- (1) Đường ống phải được lắp đặt vững chắc để chịu được áp lực của xe cộ hoặc các vật nặng khác. Yêu cầu này được coi là thỏa mãn nếu như đường kính danh nghĩa của đường ống không lớn hơn 200 mm, sử dụng loại ống qui định trong bảng 1 hoặc loại ống có tính năng ít nhất là tương đương và chôn ở độ sâu ít nhất là 0,3 m so với mặt đất (bề mặt dưới của vỉa hè nếu đất được lát vỉa hè).

BẢNG 1. LOẠI VẬT LIỆU ĐƯỜNG ỐNG

Phân loại	Loại
Ống thép	Ống thép qui định trong JIS G 3452, được xử lý chống ăn mòn bằng cách quấn băng chịu ăn mòn hoặc bọc lớp chịu ăn mòn Ống thép phủ lớp polyethylen qui định trong JIS G 3469 Ống thép cứng qui định trong JIS C 8305 được xử lý chống gỉ bằng cách quấn băng chịu ăn mòn hoặc bọc lớp chịu ăn mòn
Ống bê tông	Ống loại G qui định trong JIS C 8380 Ống bê tông qui định trong JIS A 5303
Ống nhựa tổng hợp	Ống qui định trong JIS C 8430 Ống loại VP qui định trong JIS K 6741 Ống nhựa tổng hợp cứng lượn sóng qui định trong Phụ lục 1 Ống sành gốm ống sành gốm nhiều lỗ qui định trong Phụ lục 2

- (2) Ống kim loại và các chi tiết nối ống phải được xử lý chống ăn mòn bằng cách quấn băng chịu ăn mòn hoặc bọc lớp chịu ăn mòn.
- (3) Đường ống phải được lắp đặt sao cho không bị uốn, lượn, v.v., không cần thiết, gây khó khăn cho việc lắp đặt cáp.
- (4) Mối nối giữa các ống phải được thực hiện chắc chắn bằng cách sử dụng các phụ kiện chuyên dụng, nếu có, để tránh nước dễ dàng thâm nhập vào đường ống.
Ví dụ về các phương pháp nối thích hợp cho các loại ống được cho trong Bảng 2.

BẢNG 2. VÍ DỤ VỀ PHƯƠNG PHÁP NỐI ỐNG

Phân loại	Ví dụ về phương pháp nối
Ống thép	Loại xoáy ren Loại đẩy vào có đệm chèn bên trong (nối ống cao su) Loại nối có chèn, không ren Loại nối cầu
Ống bê tông	Loại đẩy vào có đệm chèn bên trong (nối ống cao su)
Ống UPVC	Loại đẩy vào có đệm chèn bên trong (nối ống cao su) Loại keo dán
Ống nhựa tổng hợp cứng lượn sóng	Dùng ống nối có vật liệu chèn, sau đó quấn băng Máng nối nửa, xiết bằng bulông Loại đẩy vào có đệm chèn bên trong (nối ống cao su) Loại keo dán
Ống sành gốm	Xiết bằng bulông, có đệm chèn bên trong

- (5) Đường ống phải được lắp đặt sao cho không bên trong ống, mối nối hoặc đầu ống không có những chỗ lồi ra có thể làm hư hại lớp bọc cáp.
- (6) Chỗ ghép nối giữa đường ống và hộp cáp ngầm hoặc tòa nhà phải được chèn kín bằng vật liệu chèn, vữa, v.v., có độ bền lâu dài, để tránh nước thâm nhập dễ dàng vào hộp cáp ngầm hoặc tòa nhà.
- (7) Các đầu đường ống (kể cả đường ống chờ) dẫn vào tòa nhà hoặc hộp cáp ngầm, khi cần, tủ trong lòng đất, phải được xử lý chống thấm nước.
- (8) Khi nhiều đường ống được lắp đặt song song gần nhau, đất và cát lấp giữa các đường ống (đặc biệt là hai bên của đáy ống) phải được đầm kỹ toàn bộ, không để có chỗ hổng.
- (9) Khi cáp điện đi gần hoặc giao chéo với đường cáp dòng điện yếu hoặc cáp sợi quang đi ngầm dưới đất, cáp điện phải được lắp đặt theo các phương pháp dưới đây, nếu như khoảng cách giữa chúng không lớn hơn 30 cm:
(a) Khi cáp điện được đặt bên trong ống cứng không cháy hoặc khó cháy, ống phải được lắp đặt sao cho không tiếp xúc trực tiếp đường cáp dòng điện yếu hoặc cáp sợi quang đi ngầm dưới đất.
(b) Khi cáp điện được đặt trong ống dễ cháy, phải bố trí rào chắn chịu cháy có độ bền cao giữa ống này và đường cáp dòng điện yếu hoặc cáp sợi quang đi ngầm dưới đất.
- (10) Khi cáp hạ áp và cáp cao áp, hoặc cáp hạ áp hoặc cao áp và cáp siêu cao áp được đặt gần nhau hoặc giao chéo nhau ở khoảng cách không quá 30 cm tại nơi không phải là hộp cáp ngầm (15 cm giữa cáp hạ áp và cáp cao áp), các cáp này phải được lắp đặt phù hợp với một trong các yêu cầu dưới đây:

- (10.1) Tầng cáp phải phù hợp với một trong các trường hợp dưới đây:
- (a) Cáp có vỏ bọc khó cháy
 - (b) Cáp được bố trí trong ống cứng khó cháy
- (10.2) Một trong hai cáp nói trên phải có lớp vỏ bọc không cháy.
- (10.3) Một trong hai cáp nói trên phải được bố trí trong ống không cháy, ví dụ như ống thép, ống bê tông và ống sành gốm.
- (10.4) Phải bố trí rào chắn chịu cháy có độ bền cao giữa các ống.
- (11) Nói chung, trong mỗi đường ống chỉ bố trí cáp của một mạch điện.
- (12) Phải chọn kích cỡ ống sao cho có thể kéo cáp vào hoặc ra một cách dễ dàng.
 Ghi chú: Đường kính trong của ống nêu dưới đây được sử dụng là giá trị chuẩn.
 Chỉ áp dụng trong trường hợp đường ống thẳng và lực kéo cáp vào nằm trong phạm vi lực kéo cho phép của cáp.
- (1) Khi trong ống chỉ lắp đặt một cáp, giá trị chuẩn của đường kính bên trong của ống là 1,5 lần đường kính bao của cáp hoặc lớn hơn.
 - (2) Khi trong ống lắp đặt từ hai cáp trở lên, giá trị chuẩn của đường kính bên trong của ống là 1,5 lần đường kính của hình tròn ngoại tiếp các cáp gom lại hoặc lớn hơn.

3.3 Hộp cáp ngầm: Hộp cáp ngầm phải được lắp đặt phù hợp với các yêu cầu sau đây:

- (1) Hộp cáp ngầm phải được lắp đặt trên tuyến đường ống, tại những vị trí sau:
- (a) Những nơi cần thực hiện những công việc như kéo cáp vào hoặc ra.
 - (b) Những nơi thực hiện việc rẽ nhánh, nối cáp, v.v.
 - (c) Những nơi mà lực kéo cáp vào vượt quá lực căng cho phép của cáp.
- Ghi chú: Lực kéo cáp vào được coi là không vượt quá lực căng cho phép của cáp trong các trường hợp sau:
- (1) Khi chiều dài đường ống thẳng không lớn hơn 150 m.
 - (2) Khi chiều dài của đường ống có một đoạn uốn vuông góc không dài quá 100 m.
 - (d) Những nơi cần ngăn ngừa cáp trôi xuống do đường ống có độ dốc lớn.
- (2) Kích thước hộp cáp ngầm phải như sau:
- (a) Các công tác xây dựng kéo vào, kéo ra, đấu nối và rẽ nhánh, và công tác bảo trì như kiểm tra cáp, có thể thực hiện dễ dàng.
 - (b) Cáp có thể uốn với bán kính không nhỏ hơn bán kính uốn cho phép. Bán kính uốn cho phép là bán kính đường cong cạnh trong của cáp, phải không nhỏ hơn giá trị tương ứng cho trong Bảng 3.

BẢNG 3. BÁN KÍNH UỐN CHO PHÉP		
Loại cáp	Một ruột	Nhiều ruột
Hạ áp	8D	6D
Cao áp	10D	8D

Chú thích: D là đường kính bao của cáp.

Cáp xoắn một ruột ví dụ như cáp chập ba được coi như cáp nhiều ruột. Trường hợp này, đường kính bao của cáp là đường kính hình tròn ngoại tiếp từng cáp một ruột.

- (3) Hộp cáp ngầm phải có kết cấu như sau:
- (3.1) Hộp phải vững chắc và chịu được áp lực của xe cộ hoặc các vật nặng khác. Tuy nhiên, những hộp được lắp đặt tại những nơi không có xe cộ đi vào, ví dụ như vườn và vành đai xanh thì không phải đáp ứng yêu cầu này.
- (3.2) Hộp phải có kết cấu như sau để loại trừ hiện tượng đọng nước.
- (a) Có chỗ trữ nước bên dưới đáy hộp.
 - (b) Có lỗ thoát nước ở đáy hộp. Điều này chỉ được thực hiện khi đáy hộp cao hơn mực nước ngầm bình thường.
- (3.3) Phải có lỗ cửa để thực hiện các công tác lắp đặt như kéo vào, kéo ra, đấu nối, rẽ nhánh cáp và công tác bảo trì như kiểm tra cáp.
- (4) Lỗ cửa của hộp cáp ngầm phải không có chỗ nhô ra gây khó khăn tới việc người vào hoặc ra hoặc công việc của con người.
- (5) Lỗ cửa của hộp cáp ngầm phải có nắp, ngoài người có trách nhiệm ra, không ai có thể mở dễ dàng nắp này. Nếu hộp được lắp đặt tại nơi mà ngoài người có trách nhiệm ra, không ai có thể tiếp cận dễ dàng, thì không buộc đáp ứng yêu cầu này.
- (6) Nắp của hộp cáp ngầm phải có kết cấu sao cho tránh được nước thấm nhập.
- (7) Trường hợp hộp cáp ngầm được lắp đặt tại nơi có vật nặng, ví dụ như xe chạy qua, thì nắp phải được lắp đặt để chịu được sức ép từ các vật nặng này.

- (8) Trường hợp việc tách cáp được thực hiện trong hộp cáp ngầm, cáp phải được cố định trên thành hoặc nền của hộp để tránh ảnh hưởng tới mối ghép nối.
- (9) Trong hộp cáp ngầm, khi cần thiết, phải bố trí giá đỡ cáp, bậc thang, móc kéo cáp vào, v.v.
- (10) Khi lắp đặt hộp cáp ngầm kiểu lắp ghép, mối ghép giữa mỗi khối phải được gắn bằng vữa, keo, đệm chèn, v.v., để ngăn ngừa không để nước dễ dàng thâm nhập vào.
- (11) Hộp cáp ngầm phải được lắp đặt sao cho đáy hộp nằm ở thấp hơn độ sâu đóng băng của đất.

3.4 Nối đất : Vật liệu đường ống kim loại, vỏ kim loại của cáp, hộp đấu nối kim loại, giá đỡ cáp bằng kim loại trong hộp cáp ngầm và vật liệu kim loại bảo vệ của phần cáp đi lên phải được nối đất như qui định đối với công tác nối đất cấp 3. Tuy nhiên, có thể bỏ qua việc nối đất các bộ phận nêu trên nếu như điện trở giữa các bộ phận này và đất không lớn hơn 100 W hoặc nếu như các bộ phận này đã được xử lý chống ăn mòn.

3.5 Chỉ thị đường ống chôn ngầm: Việc chỉ thị đường ống chôn ngầm phải thực hiện như sau:

- (1) Phải đặt trên mặt đất các biển, cột, v.v., chỉ thị đường ống chôn ngầm để nhận diện tuyến đường ống đã lắp đặt.
- (2) Đối với đường cáp cao áp ngầm, phải rải tấm chỉ thị đường ống, liên tục ở độ sâu trung bình giữa mặt trên ống và mặt đất (bề mặt dưới của vỉa hè nếu đất được lát vỉa hè).

3.6 Phần cáp đi lên Cáp, nếu đặt dọc theo công trình xây dựng hoặc kết cấu tương tự, phải được lắp đặt như sau:

- (1) Phần cáp đi lên nằm trong đất phải được lắp đặt sao cho tránh được lực nén của xe cộ hoặc các vật nặng khác.
- (2) Phần cáp ở trên mặt đất phải được che bằng vật liệu bảo vệ bền, chịu được thời tiết và không cháy hoặc khó cháy. Độ cao của vật liệu bảo vệ trên so với mặt đất phải là 2 m (2,5 m nếu cáp được đưa lên ở bên ngoài công trình xây dựng) hoặc cao hơn.
- (3) Vật liệu bảo vệ phải được cố định chặt chẽ vào công trình xây dựng hoặc kết cấu tương tự.
- (4) Mái che hoặc kết cấu tương tự nhằm ngăn ngừa nước mưa thâm nhập phải được gắn với đầu ngoài trời của vật liệu bảo vệ cáp.

4. ĐƯỜNG CÁP RẢI TRỰC TIẾP: Khi lắp đặt đường cáp rải trực tiếp, ngoài việc tuân thủ các yêu cầu tại 3.1, (9) và (10) của 3.2, và 3.4 tới 3.6, phải thực hiện như sau:

- (1) Khi lắp đặt, cáp phải được bố trí trong kết cấu bảo vệ, ví dụ như máng qui định tại JIS A 5321. Tuy nhiên yêu cầu này là không bắt buộc nếu như sử dụng loại cáp có lớp vỏ kim loại bảo vệ, ví dụ như cáp bọc kim loại bảo vệ, hoặc khi tuyến cáp sẽ không phải chịu lực ép của xe cộ hoặc vật nặng khác và ngoài ra cáp được phủ bên trên bằng các tấm bền chắc bằng kim loại.
- (2) Độ sâu khi chôn của các vật liệu bảo vệ, tức là máng, tấm và cáp có vỏ bọc kim loại nêu trên phải ít nhất là 1,2 m ở những nơi cáp có thể phải chịu lực ép của xe cộ hoặc vật nặng khác, và ít nhất là 0,6 m ở những nơi khác. Tuy nhiên phần cáp đi lên, tính đến mặt đất, không phải đáp ứng yêu cầu này.
- (3) Máng bên trong bố trí cáp và các tấm đặt bên trên cáp, v.v., phải được lắp đặt sao cho không có khe hở giữa chúng dọc theo tuyến lắp đặt cáp, và sao cho không có sự chênh lệch về độ cao tại các chỗ nối và các đầu của máng có thể gây hư hại cho vỏ cáp.

- (4) Trường hợp cần thiết phải có hộp cáp ngầm, các hộp này phải được lắp đặt phù hợp với 3.3.
- (5) Phần cửa tòa nhà có cáp xuyên qua để đi vào bên trong phải được xử lý chống thấm.

5. ĐƯỜNG DÂY NGOÀI TRỜI: Đường dây ngoài trời phải đáp ứng các yêu cầu sau:

- (1) Đường dây hạ áp ngoài trời phải được lắp đặt phù hợp với các yêu cầu của 3.1, 3.4 và 3.6, ngoài ra còn phải phù hợp với một trong các qui trình sau:
 - (a) Đối với cáp được bố trí trong ống, việc lắp đặt phải phù hợp với (1) đến (3), (5), (8), (11) và (12) của 3.2. Theo qui trình này, có thể lắp đặt cáp bố trí trong ống PF qui định trong JIS C 8411, khi cáp được lắp đặt trong khu nhà ở hoặc tại những nơi không chịu lực ép của xe cộ hoặc vật nặng khác.
 - (b) Đối với cáp được bố trí trong kết cấu bảo vệ, ví dụ như máng như qui định trong JIS A 5321, việc lắp đặt phải phù hợp với 4. (3), ở độ sâu từ 0,3 m trở lên. Tuy nhiên, trong khu nhà ở hoặc tại những nơi không chịu lực ép của xe cộ hoặc vật nặng khác, có thể lắp đặt cáp được che bởi các tấm chắc khỏe đặt bên trên cáp ở độ sâu từ 0,3 m trở lên.
- (2) Đường dây cao áp ngoài trời phải được lắp đặt phù hợp với các yêu cầu của 3. hoặc 4.

PHỤ LỤC 1. ỐNG NHỰA TỔNG HỢP CỨNG LỰƠN SÓNG

- 1. Phạm vi áp dụng:** Phụ lục này qui định các yêu cầu kỹ thuật đối với ống nhựa tổng hợp cứng lượn sóng sử dụng để bảo vệ cáp điện lực chôn trong đất (sau đây gọi tắt là “ống”). Thông tin tham chiếu: ống này cũng được gọi là FEP.
- 2. Tính năng**
- 2.1 Độ bền chịu nén:** Khi tiến hành thử nghiệm độ bền nén theo 5.1, độ biến dạng tương đối của đường kính ngoài tính theo công thức dưới đây không được vượt quá 3,5%, và không được có vết nứt hoặc gãy trên ống.

$$a = \frac{D1 - D2}{D1} \times 100$$

trong đó, a là độ biến dạng tương đối của đường kính ngoài (%)
 $D1$ là đường kính ngoài trước khi nén (mm)
 $D2$ là đường kính ngoài sau khi nén (mm)

- 2.2 Khó cháy:** Khi ống có ghi nhãn “khó cháy” được thử nghiệm theo 5.2, ngọn lửa phải tự tắt.
- 3. Kết cấu:** Kết cấu ống phải như sau:
 - (1) Tiết diện ống vuông góc với đường trục ống phải là hình tròn.
 - (2) Mặt ống bên trong và bên ngoài phải nhẵn, và không có vết xước, nứt hoặc khuyết tật khác làm hại vỏ cáp.
 - (3) Ống phải là loại lượn sóng.
 - (4) Vật liệu Vật liệu phải bao gồm chủ yếu là vật liệu nhựa tổng hợp chất lượng tốt. Ví dụ như vật liệu đúc polyethylen qui định trong JIS K 6748, nhựa polyvinyl clorua qui định trong JIS K 6720 hoặc vật liệu đúc polypropylen qui định trong JIS K 6747.

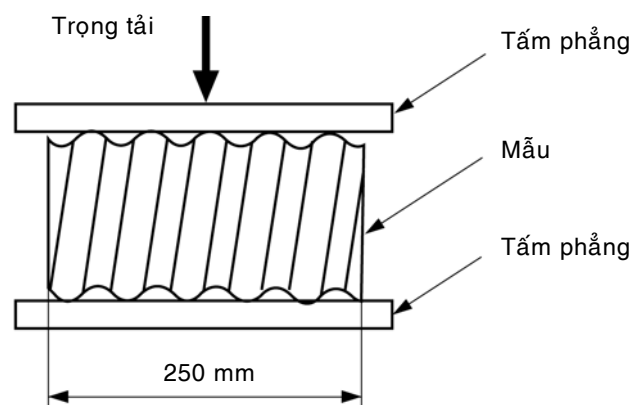
5. Thử nghiệm

5.1 Thử nghiệm độ bền chịu nén: Thử nghiệm độ bền chịu nén phải được tiến hành như sau:

- (1) Cắt mẫu dài 250 mm từ sản phẩm.
- (2) Chuẩn bị thiết bị thử nghiệm như minh họa trên Hình 1 của Phụ lục
- (3) Giữ mẫu và thiết bị thử nghiệm ở nhiệt độ $20 \pm 2^{\circ}\text{C}$ trong 2 h, sau đó tiến hành thử nghiệm ở nhiệt độ này.
- (4) Kẹp mẫu bằng hai tấm thép phẳng, và đặt tải trọng nén đều dưới đây bằng kẹp di chuyển tấm thép vuông góc với trục của ống với tốc độ 20 mm/min.

$P = 213 \times R$
trong đó, P : tải trọng nén (N)
 R : đường kính trung bình của ống (cm)
 D : đường kính ngoài của ống (cm)
 d : đường kính trong của ống (cm)

Hình 1. (Phụ lục1) Thử nghiệm độ bền nén



5.2 Thử nghiệm khả năng khó cháy: Thử nghiệm khả năng khó cháy phải được tiến hành như sau:

- (1) Lấy mẫu là đoạn ống dài 600 mm.
- (2) Đặt mẫu ở vị trí thẳng đứng. Đặt mũi ngọn lửa khử ôxy từ vòi đốt Bunsen vào vị trí cao hơn đầu dưới ống là 100 mm. Điều chỉnh ngọn lửa sao cho chiều dài ngọn lửa ôxy hóa bằng khoảng 100 mm và chiều dài ngọn lửa khử ôxy bằng khoảng 50 mm và nghiêng vòi đốt một góc bằng 45^o so với mặt phẳng nằm ngang.
- (3) Thời gian đặt ngọn lửa phải như nêu trong Bảng 1 của Phụ lục 1.

BẢNG 1 (PHỤ LỤC 1). THỜI GIAN ĐẶT NGỌN LỬA

Chiều dày của mẫu, (mm)	Thời gian đặt ngọn lửa ##(s)
Đến và bằng 0,5	15
Trên 0,5 đến và bằng 1,0	20
Trên 1,0 đến và bằng 1,5	25
Trên 1,5 đến và bằng 2,0	35
Trên 2,0 đến và bằng 2,5	45
Trên 2,5 đến và bằng 3,0	55
Trên 3,0 đến và bằng 3,5	65
Trên 3,5 đến và bằng 4,0	75
Trên 4,0 đến và bằng 4,5	85
Trên 4,5 đến và bằng 5,0	130
Trên 5,0 đến và bằng 5,5	200
Trên 5,5 đến và bằng 6,0	300
Trên 6,0 đến và bằng 6,5	500

- (4) Sau thời gian đặt ngọn lửa qui định, rút ngọn lửa ra, và quan sát xem ngọn lửa có tự tắt trong vòng 30s hay không.

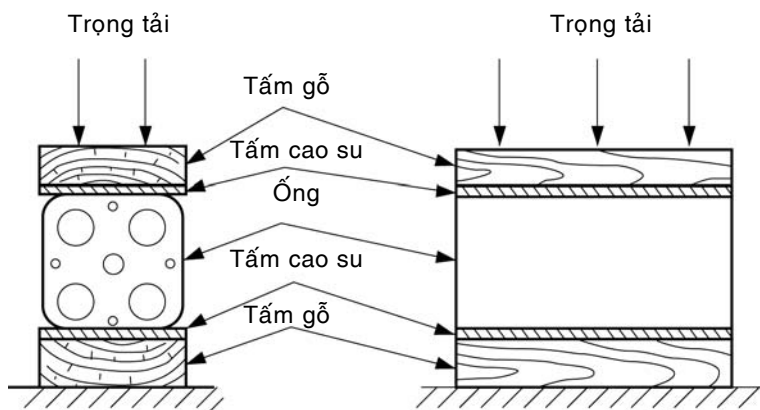
6. Ghi nhãn: Những hạng mục dưới đây phải được ghi nhãn bền vững tại vị trí dễ nhìn của mỗi ống:

- (1) Đối với ống khó cháy, ghi rõ như vậy.
- (2) Tên hoặc tên viết tắt của nhà chế tạo.
- (3) Năm và tháng chế tạo hoặc năm và tháng chế tạo viết tắt.

PHỤ LỤC 2. ỐNG SÀNH GỐM NHIỀU LỖ

- 1. Phạm vi áp dụng:** Phụ lục này qui định những loại ống sành gốm được sử dụng để bảo vệ cáp điện chôn ngầm dưới đất (sau đây gọi tắt là “ống”).
- 2. Kết cấu:** Kết cấu ống phải như sau:
 - (1) ống phải chế tạo theo cách dùng đất sét chất lượng tốt tạo hình, sau đó nung và tráng men.
 - (2) Đầu mặt của ống phải vuông góc với đường trục của ống, và tiết diện lỗ phải trên thực tế là hình tròn.
 - (3) Bề mặt bên trong của ống phải nhẵn và không có vết xước, nứt và bất kỳ khuyết tật nào khác có thể gây hư hại cho vỏ bọc của cáp.
 - (4) Khi các ống được nối với nhau, không được có chênh lệch về độ cao xuất hiện tại các mối nối có thể gây hư hại cho vỏ bọc của cáp.
- 3. Độ bền nén:** Khi tiến hành thử nghiệm nén ống như qui định ở 4., ống không được có vết nứt hoặc bị vỡ.
- 4. Thử nghiệm độ bền nén:** Trong thử nghiệm độ bền nén, ống được kẹp bằng hai tấm gỗ và hai tấm cao su dày khoảng 20 mm trên toàn bộ chiều dài như minh họa trên Hình 1 của Phụ lục 2. Đặt tải trọng nén theo phương vuông góc với trục ống với tốc độ từ 500 N tới 600 N mỗi giây, cho đến khi tải trọng đạt 34 N trên một centimét vuông diện tích hình chiếu theo phương vuông góc với trục ống, sau đó duy trì giá trị này trong 1 min..

Hình 1. (Phụ lục 2)



- 5. Ghi nhãn:** Những hạng mục dưới đây phải được ghi nhãn bền vững tại vị trí dễ nhìn của mỗi ống:
 - (1) Tên hoặc tên viết tắt của nhà chế tạo.
 - (2) Năm và tháng chế tạo hoặc năm và tháng chế tạo viết tắt.



CÔNG TY CỔ PHẦN BA AN/BAAN. JSC

Add 68 Quan Nhan, Thanh Xuan, Hanoi, Vietnam
Tel +844 - 556 5788
Fax +844 - 556 5727

E-mail 3an@baan.vn
www.baan.vn

Tài liệu này do BAAN cung cấp
This document is supplied by BAAN